

JET 80 Naomi
Electric Kebab Knife
Elektro Dönermesser
Elektrikli Kebab Bıçağı
70 Watt



Doner Kebab Cutting Machine
Döner Schneidemaschine
Döner Kesme Makinası

Table of Contents:

Page 1: Cover Plate

Page 2: Table of Contents – Articles

Page 3: Article List – Kebab Knife

Page 4: Exploded Drawing – Spare Parts

Page 5: Catalogue – Kebab Knives

Electric Doner Knife – JET 80 Naomi

The **JET 80 Naomi** is a powerful electric doner knife designed for professional use in restaurants, kebab shops, and food service businesses. The strong **70-watt motor** enables fast and precise slicing of **chicken, lamb, or beef**, and can easily process **up to 100 kg of meat per day**.

Thanks to its **lightweight design and quiet operation**, the device ensures comfortable working throughout the entire workday. The **ergonomic round cross-handle** provides a secure grip and allows precise, even cuts – even during extended use.



Precise Cutting Quality

The JET 80 Naomi kebab knife features a continuously adjustable cutting thickness from 0 to 10 mm. This flexibility saves preparation time and ensures evenly sliced meat for your guests, consistently in perfect quality.

The cutting width ranges from 10 to 20 mm depending on the selected cutting thickness, providing optimal portioning every time.

Technical Features

- Powerful 70 W motor – robust, durable, and quiet in operation.
- Pressure switch ON/OFF with splash protection.
- Detachable cable set and separable transformer – facilitates cleaning and handling.
- 80 mm round blade made of high-quality steel – ensures precise, clean cuts.
- The device is splash-proof (excluding electronics).

Warranty & Service

The JET 80 Naomi kebab knife comes with a 12-month warranty.

Our service team provides fast and professional support for technical questions. Repairs, maintenance, and spare parts are handled directly by our customer service.

The high capacity and robust design ensure reliable operation under daily use, even in demanding commercial environments.



Images may differ from the product. Technical changes reserved.
No liability is assumed for printing errors. Our terms and conditions apply

www.doenermesser.com

2025 page 2

JET 80 Naomi Kebab Knife

JET 80 Naomi 70 Watt (I)



Scope of delivery:

- 1 × JET 80 Naomi Electro Döner Kebab Knife
- 1 × Transformer / power supply 18 V DC, 6.3 A, 230 V 50 Hz
- 2 × Round Knife (Smooth), Ø 80 mm
- 1 × Grinding file 1 × Slotted screwdriver
- 2 × 6.3 A fuses 1 × Knife screw
- 1 × Pin 1 × Instruction manual
- Package weight: 5.0 kg
- Package dimensions: 400 × 250 × 160 mm (L × W × H)

Model: JET 80 Naomi 70 Watt (I)

Item No.	Hand Cutting Device	Knife Ø	Performance	Daily output	Cutting Depth	Cutting width	Voltage	Net Price
DBS-NAO-001	940 gr.	80 mm	70 W	100 kg	0-10 mm	10-25 mm	230 V / 50 Hz	724.37 €

JET 80 Naomi 70 Watt (II)



Scope of delivery:

- 1 × JET 80 Naomi Electro Döner Kebab Knife
- 1 × Transformer / power supply 18 V DC, 6.3 A, 230 V 50 Hz
- 1 × Round Blade (Smooth), Ø 80 mm
- 1 × Round Blade (Toothed), Ø 80 mm
- 1 × Grinding file 1 × Slotted screwdriver
- 2 × 6.3 A fuses 1 × Knife screw
- 1 × Pin 1 × Instruction manual
- Package weight: 5.0 kg
- Package dimensions: 400 × 250 × 160 mm (L × W × H)

Model: JET 80 Naomi 70 Watt (II)

Item No.	Hand Cutting Device	Knife Ø	Performance	Daily output	Cutting Depth	Cutting width	Voltage	Net Price
DBS-NAO-002	940 gr.	80 mm	70 W	100 kg	0-10 mm	10-25 mm	230 V / 50 Hz	727.48 €

JET 80 Naomi 70 Watt (III)



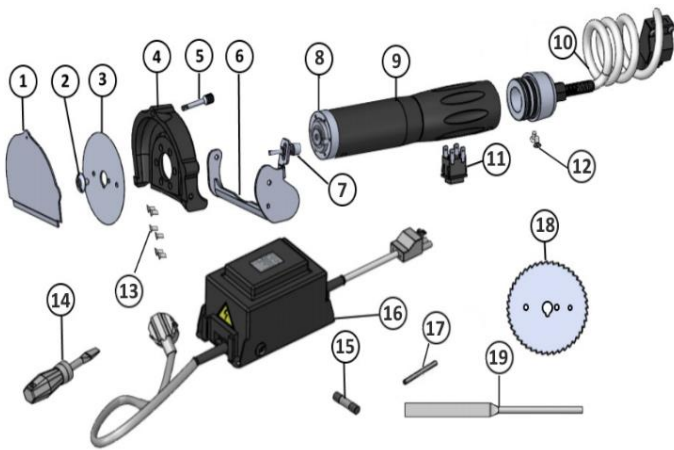
Scope of delivery:

- 1 × JET 80 Naomi Electro Döner Kebab Knife
- 1 × Transformer / power supply 18 V DC, 6.3 A, 230 V 50 Hz
- 2 × Round Blades (Toothed), Ø 80 mm
- 1 × Grinding file 1 × Slotted screwdriver
- 2 × 6.3 A fuses 1 × Knife screw
- 1 × Pin 1 × Instruction manual
- Package weight: 5.0 kg
- Package dimensions: 400 × 250 × 160 mm (L × W × H)

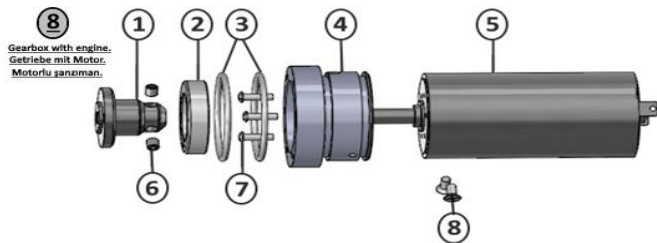
Model: JET 80 Naomi 70 Watt (III)

Item No.	Hand Cutting Device	Knife Ø	Power	Daily Output	Cutting Depth	Cutting Width	Voltage	Net Price
DBS-NAO-003	940 g	80 mm	70 W	100 kg	0-10 mm	10-25 mm	230 V / 50 Hz	730.39 €

Spare parts & exploded view - Kebab knife JET 80 Naomi 70 W



Pos.	Item no.	Description	Net Price
1	NAO-001-001	Lid for knife head housing Ø 80 mm	24,75 €
2	NAO-002-002	Slotted flat head screw, head Ø 15 mm, M5	6,25 €
3	NAO-003-003	Smooth round blade Ø 80 mm	23,21 €
4	NAO-004-004	Knife head housing Ø 80 mm	59,66 €
5	NAO-005-005	Screw for lid attachment	7,84 €
6	NAO-006-006	Adjustment bracket for cutting thickness	38,81 €
7	NAO-007-007	Adjustment screw for adjustment bracket	6,91 €
8	NAO-008-008	Motor with gearbox 18 V / 70 W (complete)	257,32 €
9	NAO-010-009	Handle housing	39,62 €
10	NAO-011-010	Connection cable set for handle housing, complete	40,12 €
11	NAO-012-011	Pressure switch on/off, black, unlit	12,40 €
12	NAO-013-012	Countersunk screw M4 for handle attachment	0,17 €
13	NAO-014-013	Mounting screw M4 for motor housing	0,20 €
14	NAO-015-014	Slotted screwdriver	3,60 €
15	NAO-016-015	Glass tube fuse 5 × 20 mm, 6.3 A	0,17 €
16	NAO-017-016	Transformer / power supply 18 V DC, 6.3 A, 230 V / 50 Hz	119,01 €
17	NAO-018-017	Knife holder pin for round (circular) knives	1,62 €
18	NAO-019-018	Toothed round blade Ø 80 mm	26,12 €
19	NAO-020-019	Grinding file for circular knives	10,11 €



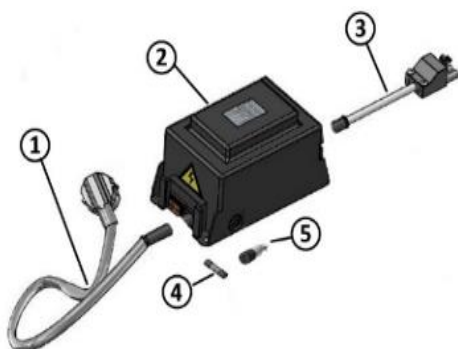
Pos.	Item no.	Description	Net Price
1	NAO-021-020	Knife spindle for knife housing Ø 80 mm	26,27 €
2	NAO-022-021	Shaft seal	8,93 €
3	NAO-023-022	Sealing ring (O-ring)	1,84 €
4	NAO-024-023	Aluminium motor housing for knife head Ø 80 mm	19,12 €
5	NAO-025-024	Electric motor 18 V / 70 W	197,32 €
6	NAO-027-025	Grub screw M3 for knife spindle	0,23 €
7	NAO-028-026	Countersunk mounting screw M2.5 for motor	0,20 €
8	NAO-029-027	Screw M4 for handle mounting	0,17 €



os.	Item no.	Description	Net Price
1	NAO-030-028	O-ring (seal)	1,84 €
2	NAO-031-029	Aluminium housing for cable connection set	17,41 €
3	NAO-032-030	PG8 cable strain relief	3,60 €
4	NAO-033-031	Countersunk screw M4 for handle	0,17 €
5	NAO-034-032	Cable 1.5 m, 2 × 1.5 mm ² , grey	8,13 €
6	NAO-035-033	3-pin connector (male), black	7,06 €



Pos.	Item no.	Description	Net Price
1	NAO-036-034	Toggle switch ON/OFF, black, 2-pole	3,28 €
2	NAO-037-035	Protective cap (L × W × H: 25 × 19 × 8 mm)	1,99 €
3	NAO-012-036	Push-button ON/OFF switch, black, 2-pole	12,40 €
4	NAO-038-037	Pressure switch, black, ON-OFF-ON, 2-pole	3,40 €
5	NAO-039-038	Rocker switch ON/OFF, red, illuminated, 2-pole	6,96 €
6	NAO-040-039	Rocker switch ON/OFF, black, unlit, 2-pole	4,96 €



Pos.	Item no.	Description	Net Price
1	NAO-041-040	Power cable 1 m with 230 V plug, 3 × 1.5 mm ²	12,71 €
2	NAO-042-041	Power supply 18 V DC, 6.3 A, 230 V / 50 Hz	91,25 €
3	NAO-043-042	Connection cable 30 cm with female plug, black	10,25 €
4	NAO-016-043	Glass tube fuse 5 × 20 mm, 6.3 A	0,17 €
5	NAO-045-044	Fuse holder for desktop power supply unit	4,63 €

Images may differ from the product. Technical changes reserved.
No liability is assumed for printing errors. Our terms and conditions apply

Catalog Doner Knives

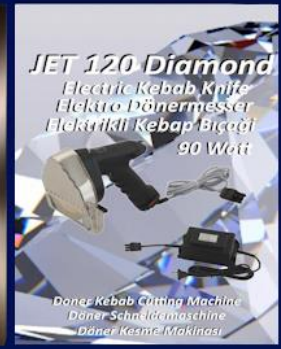
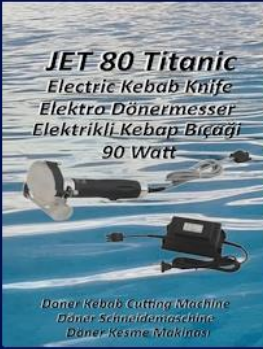
**Electric Kebab Knife, Elektro Dönermesser, Elektrikli Kebap Bıçağı.
Doner Kebab Cutting Machine, Döner Schneidemaschine, Döner Kesse Makinası.**

Ø 80 mm - Ø 90 mm - Ø 100 mm - Ø 120 mm

70 Watt



90 Watt



**The JET kebab knife is a very popular model that meets the needs and wishes of users.
The product is defined by the keywords "light, quiet and fast".
The simple operation, convenient cleaning and stepless adjustment of the circular knife make
JET unmistakable and at the same time successful. Stepless adjustment option 0-10 mm for meat thickness.
Suitable for all types of meat.**

**Dönermesser JET ist ein sehr weitverbreitetes Modell, welches den Anforderungen und Wünschen der Benutzer entspricht
Das Produkt wird mit den Schlagwörtern „leicht, leise und schnell“ definiert.
Die einfache Bedienung, komfortable Reinigung und stufenlose Verstellung des Kreismessers machen
JET unverwechselbar und zugleich erfolgreich. Stufenlose Verstell Möglichkeit 0-10 mm für Fleischstärke.
Geeignet für alle Fleischsorten.**

**Döner bıçağı JET, kullanıcıların ihtiyaç ve isteklerini karşılayan oldukça popüler bir modeldir.
Ürün "hafif, sessiz ve hızlı" anahtar kelimeleri ile tanımlanıyor.
Dairesel bıçağın basit kullanımı, rahat temizliği ve kademesiz ayarı,
JET'i farklı kılar ve aynı zamanda et kalınlığı için 0-10 mm kademesiz ayar seçeneğini başarılı kılar.
Her türlü ete uygundur.**