

Spare Parts & Exploded View

JET 120 Profi Kebab Knife

Do you need spare parts or support?

Our customer service team is here to assist you quickly and easily – whether you have technical questions, need repairs, require maintenance, or want to order spare parts directly.

All spare parts for your JET 120 Profi Kebab Knife are always available, perfectly fitting, and easy to replace.

EXPLODED VIEWS – EVERYTHING AT A GLANCE

Our exploded views are more than just simple diagrams.

They provide a complete technical breakdown showing you:

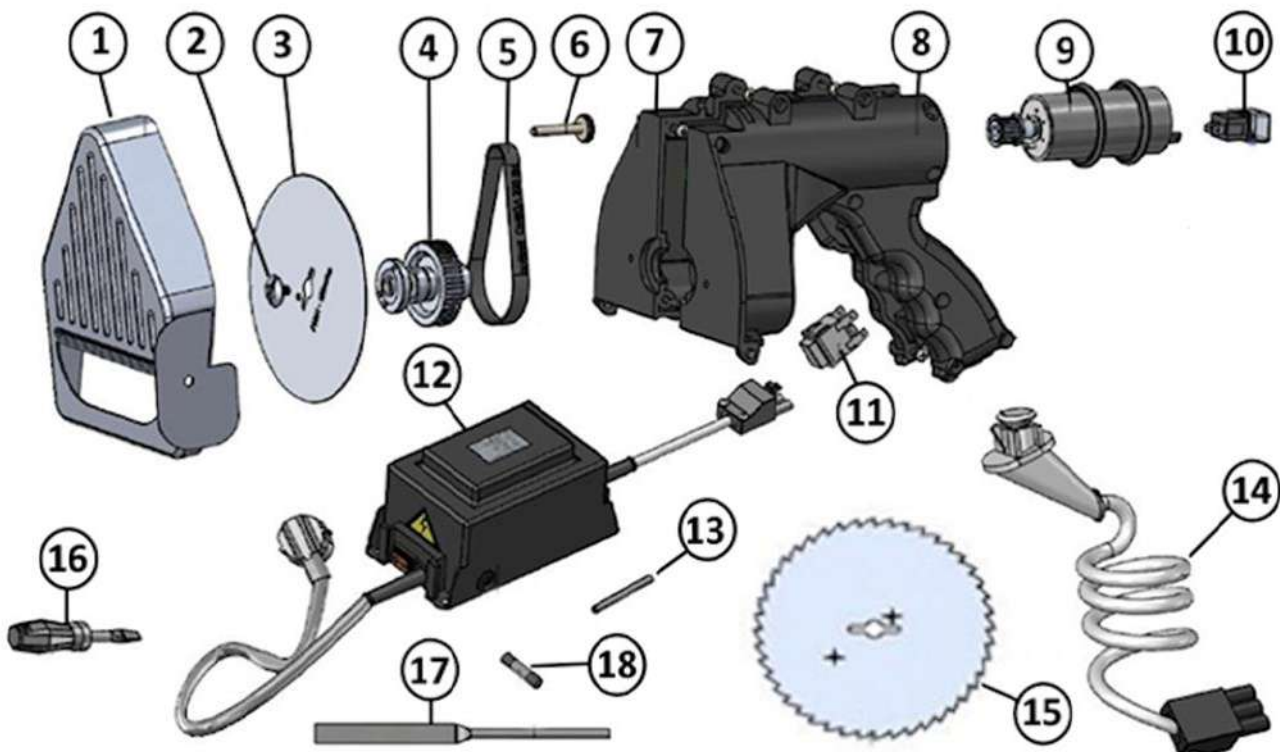
- which part belongs where
- how each part is attached
- the exact part number
- how the mechanism works together
- which item is the correct match for your model

Every component is numbered, named, and clearly identified.

This prevents incorrect orders – saving you time, money, and unnecessary trouble.

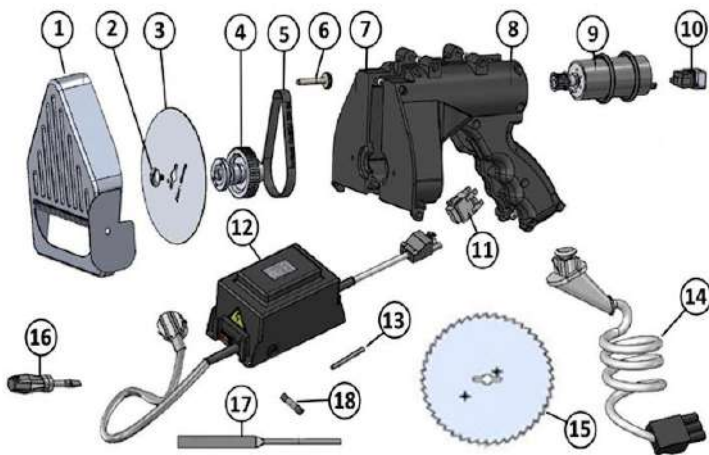
A JET kebab knife is a tool that must deliver peak performance every day.

We help you maintain that performance – reliably and effortlessly.

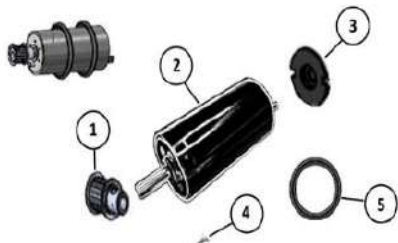


Exploded View- JET 120 Profi 70 Watt

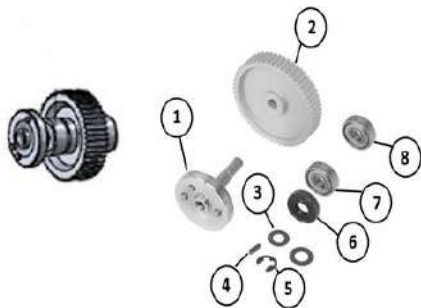
Spare Parts



No.	Item No.	Designation
1	PRO-062-001	Knife cap stainless Steel 120
2	PRO-058-002	Countersunk lens head with slot, head Ø 13.5 mm M5
3	PRO-060-003	Round knife Ø120 mm smooth
4	PRO-103-004	Gear box drive complete.
5	PRO-057-005	Timing Belt 225 T
6	PRO-070-006	Knurrend screw M5
7	PRO-079-007	Right Cases
8	PRO-080-008	Left housing.
9	PRO-110-009	Motor complete, (18 Volt 70 Watt)
10	PRO-072-010	Toggle switch ON/OFF with protective cap
11	PRO-012-011	Pressure Switch, Black, Unlit On/Off
12	PRO-017-012	Transformer power supply 18 VDC 6.3 A 230V 50 Hz.
13	PRO-018-013	Knife Holder Pen
14	PRO-111-014	Trunk. Sentence
15	PRO-112-015	Round knife Ø120 mm serrated
16	PRO-015-016	Slotted Screwdriver
17	PRO-020-017	Grinding file
18	PRO-016-018	Glass tube fuse 5*20mm (6.3A)



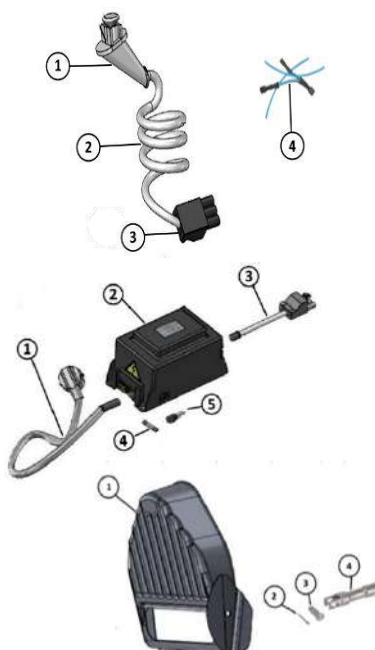
No.	Item No.	Designation
1	PRO-044-019	Tooth lock washer
2	PRO-025-020	Motor 18 Volt 70 Watt
3	PRO-113-021	Engine Protective Cover
4	PRO-084-022	Countersunk screw M2.5
5	PRO-081-023	Orring



No.	Item No.	Designation
1	PRO-114-024	Knife Holder Shaft
2	PRO-115-025	Tooth lock washer
3	PRO-091-026	Passscheibe
4	PRO-089-027	Cylindrical pin
5	PRO-090-028	Lock washer for shaft
6	PRO-116-029	Oil seal
7	PRO-093-030	Ball bearing inner Ø 7 mm
8	PRO-117-031	Ball bearing inner Ø 6 mm



No.	Item No.	Designation
1	PRO-036-032	Toggle switch on/off
2	PRO-037-033	Protective cap (L x W x H) 25 x 19 x 8 mm
3	PRO-012-034	Pressure Switch, Black, Unlit On/Off
4	PRO-038-035	Pressure Switch, Black, On-Off-On
5	PRO-039-036	Rocker switch, on-off, red, illuminated
6	PRO-040-037	Rocker switch, on-off, black, unlit



No.	Item No.	Designation
1	PRO-118-038	Anti-kink grommet
2	PRO-100-039	Cable 1.5 meters
3	PRO-101-040	Connector 3 pin (male)
4	PRO-119-041	Connection cable with flat connector sleeve

No.	Item No.	Designation
1	PRO-041-042	Cable with connector length: 1 meter
2	PRO-042-043	Transformer, 18 VDC 6.3 A 230V 50 Hz.
3	PRO-043-044	Cable plug female 30 cm
4	PRO-016-045	Glass tube fuse 5*20 mm (6.3A)
5	PRO-045-046	Fuse holder of the desktop power supply

No.	Item No.	Designation
1	PRO-120-047	Knife cap
2	PRO-104-048	Fuse
3	PRO-105-049	Step
4	PRO-121-050	Fork joint

Images may differ from the actual product. Technical specifications are subject to change.
We accept no liability for printing errors. Our general terms and conditions apply.

Catalog Doner Knives

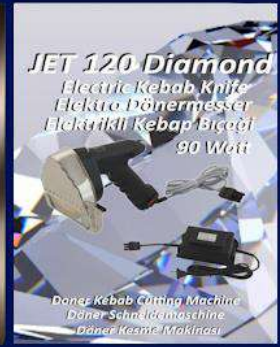
**Electric Kebab Knife, Elektro Dönermesser, Elektrikli Kebap Bıçağı.
Doner Kebab Cutting Machine, Döner Schneidemaschine, Döner Kesme Makinası.**

Ø 80 mm - Ø 90 mm - Ø 100 mm - Ø 120 mm

70 Watt



90 Watt



**The JET kebab knife is a very popular model that meets the needs and wishes of users.
The product is defined by the keywords "light, quiet and fast".
The simple operation, convenient cleaning and stepless adjustment of the circular knife make
JET unmistakable and at the same time successful. Stepless adjustment option 0-10 mm for meat thickness.
Suitable for all types of meat.**

**Dönermesser JET ist ein sehr weitverbreitetes Modell, welches den Anforderungen und Wünschen der Benutzer entspricht.
Das Produkt wird mit den Schlagwörtern „leicht, leise und schnell“ definiert.
Die einfache Bedienung, komfortable Reinigung und stufenlose Verstellung des Kreismessers machen
JET unverwechselbar und zugleich erfolgreich. Stufenlose Verstell Möglichkeit 0-10 mm für Fleischstärke.
Geeignet für alle Fleischsorten.**

**Döner bıçağı JET, kullanıcıların ihtiyaç ve isteklerini karşılayan oldukça popüler bir modeldir.
Ürün "hafif, sessiz ve hızlı" anahtar kelimeleri ile tanımlanıyor.
Dairesel bıçağın basit kullanımı, rahat temizliği ve kademesiz ayarı,
JET'i farklı kılar ve aynı zamanda et kalınlığı için 0-10 mm kademesiz ayar seçeneğini başarılı kılar.
Her türlü ete uygundur.**