

JET 100 Tiger
Electric Kebab Knife
Elektro Dönermesser
Elektrikli Kebab Bıçağı

70 Watt



Doner Kebab Cutting Machine
Döner Schneidemaschine
Döner Kesme Makinası

Table of contents:

Page 1: Cover Plate

Page 2: Table of Contents - Article

Page 3: List of articles - Kebab knives

Page 4: Exploded Drawing - Spare Parts

Page 5: Catalogue - Kebab Knives

Electric Kebab Knife JET 100 Tiger

The JET 100 Tiger Kebab knife combines power and precision, distinguished by its outstanding quality, versatility, and durability.

The powerful 70-Watt Motor effortlessly processes up to 100 kg of meat per day, making it ideal for continuous use – even 24/7 operation.

The ergonomic handle is very comfortable to hold and allows for precise, fatigue-free work – even over extended periods. This machine is ideal for Kebab shops, restaurants, commercial kitchens, and other professional food service establishments.



Toggle switch with protective cap.

Kippschalter mit Schutzkappe.

Koruyucu kapaklı geçiş anahtarı.

Precise cutting quality

The cutting thickness can be infinitely adjusted from 0 - 10 mm.

Thanks to this flexibility, you save time during preparation and can help your guests always serve evenly sliced meat.

The cutting width varies between 10 - 30 mm and depends on the selected cutting thickness.

Technical

- Powerful 70-Watt Motor – robust, durable, and quiet in operation.
- Toggle switch - on/off switch, splash water repellent.
- Detachable cable set and separable transformer – makes cleaning and handling easier.
- 100 mm round blade made of high-quality steel – ensures precise, clean cutting quality.
- The device is splash-proof (electronics are excluded)

Warranty & Service

The JET 100 Tiger knife with 12 months warranty.

The service team is available to answer any technical questions you may have and provides quick support.

Repairs, maintenance, and spare parts are handled directly by customer service.

The high capacity and robust construction ensure reliable use in daily operation.



Images may differ from the actual product. Technical specifications are subject to change.
We accept no liability for printing errors. Our general terms and conditions apply.

www.doenermesser.com

Item: JET 100 Tiger Kebab Knife

JET 100 Tiger (I)



Scope of delivery:

- 1 x JET 100 Tiger Electric Kebab Knife 70 Watt.
- 1 x Transformer power supply 18 VDC 6.3 A 230V 50 Hz.
- 2 x Round Knife (smooth) 100 Ø mm**
- 1 x Grinding File. 1 x Slotted Screwdriver.
- 2 x Fuse 6.3 A. 1 x Knife Screw. 1 x Pin.
- 1 x Instructions for use.

Delivery package weight: 5.0 kg LxWxH 400x250x160 mm

Model: JET 100 Tiger 70 Watt (I)							
Item No.	Hand-held cutting device	Knife	Power W	Daily Output	Cut mm	Voltage	Net
DBS-TIG-001	1270 gr.	100 Ø mm	70 W	100 kg	0-10 mm	230V 50 Hz	755,21 €

JET 100 Tiger (II)



Scope of delivery:

- 1 x JET 100 Tiger Electric Kebab Knife 70 Watt.
- 1 x Transformer power supply 18 VDC 6.3 A 230V 50 Hz.
- 1 x Round Knife (smooth) 100 Ø mm**
- 1 x Round knife (serrated) 100 Ø mm**
- 1 x Grinding File. 1 x Slotted Screwdriver.
- 2 x Fuse 6.3 A. 1 x Knife Screw. 1 x Pin.
- 1 x Instructions for use.

Delivery package weight: 5.0 kg LxWxH 400x250x160 mm

Model: JET 100 Tiger 70 Watt (II)							
Item No.	Hand-held cutting device	Knife	Power W	Daily Output	Cut mm	Voltage	Net
DBS-TIG-002	1270 gr.	100 Ø mm	70 W	100 kg	0-10 mm	230V 50 Hz	761,56 €

JET 100 Tiger (III)



Scope of delivery:

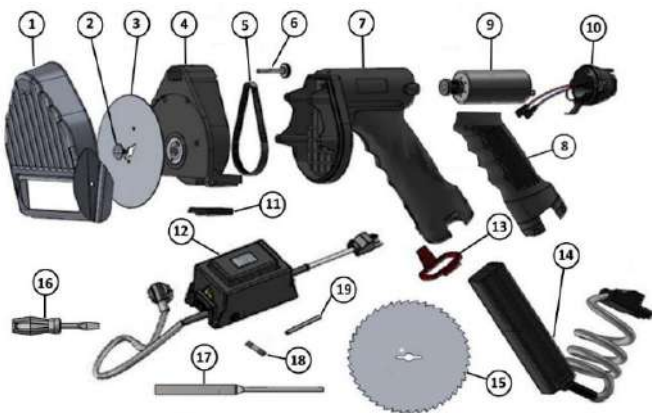
- 1 x JET 100 Tiger Electric Kebab Knife 70 Watt.
- 1 x Transformer power supply 18 VDC 6.3 A 230V 50 Hz.
- 2 x Round Knife (Serrated) 100 Ø mm**
- 1 x Grinding File. 1 x Slotted Screwdriver.
- 2 x Fuse 6.3 A. 1 x Knife Screw. 1 x Pin.
- 1 x Instructions for use.

Delivery package weight: 5.0 kg LxWxH 400x250x160 mm

Model: JET 100 Tiger 70 Watt (III)							
Item No.	Hand-held cutting device	Knife	Power W	Daily Output	Cut mm	Voltage	Net
DBS-TIG-003	1270 gr.	100 Ø mm	70 W	100 kg	0-10 mm	230V 50 Hz	767,74 €

Exploded Drawing - JET 100 Tiger 70 Watt

Spare Parts



No.	Item No.	Designation	Net
1	TIG-056-001	Knife cap 100	29,78 €
2	TIG-058-002	Countersunk lens head with slot, head Ø 13.5 mm M5	5,25 €
3	TIG-059-003	Round blade Ø100 mm smooth	24,29 €
4	TIG-061-004	Housing front part 100 (complete)	113,11 €
5	TIG-063-005	Timing belt 240 T	8,80 €
6	TIG-064-006	Knurled screw M5	6,20 €
7	TIG-065-007	Handle housing	50,92 €
8	TIG-066-008	Cover tray for handle	6,53 €
9	TIG-067-009	Motor complete, (18 Volt 70 Watt)	213,23 €
10	TIG-069-010	Rear Toggle Housing, Protective Cap	17,33 €
11	TIG-071-011	Scraper 100	4,48 €
12	TIG-017-012	Desktop power supply 18 VDC 6.3 A 230V 50 Hz.	119,01 €
13	TIG-074-013	Locking mechanism for housing	6,12 €
14	TIG-075-014	Trunk. Sentence	39,61 €
15	TIG-076-015	Round knife Ø100 mm serrated	30,47 €
16	TIG-078-016	Slotted Screwdriver	3,60 €
17	TIG-020-017	Grinding file	10,11 €
18	TIG-016-018	Glass tube fuse 5*20mm (6.3A)	0,17 €
19	TIG-018-019	Knife Holder Pen	1,62 €



No.	Item No.	Designation	Net
1	TIG-082-020	Tooth lock washer	12,77 €
2	TIG-025-021	Motor 18 Volt 70 Watt	197,32 €
3	TIG-083-022	Engine Protective Cover	2,74 €
4	TIG-084-023	Screw M2.5	0,20 €



No.	Item No.	Designation	Net
1	TIG-085-024	Housing front part 100	44,40 €
2	TIG-087-025	Knife Holder Shaft	29,17 €
3	TIG-088-026	Tooth lock washer	22,97 €
4	TIG-089-027	Cylindrical pin	0,26 €
5	TIG-090-028	Fuse washer for shafts	0,21 €
6	TIG-091-029	Shims	0,23 €
7	TIG-092-030	Oil seal	6,24 €
8	TIG-093-031	Ball bearing inner Ø 7 mm	8,74 €



No.	Item No.	Designation	Net
1	TIG-094-032	Switch Housings	11,75 €
2	TIG-095-033	Screws Piece	0,15 €
3	TIG-036-034	Toggle switch on/off	3,28 €
4	TIG-037-035	Protective cap (L x W x H) 25 x 19 x 8 mm	1,99 €
5	TIG-039-036	Rocker switch, on-off, red, illuminated	6,96 €



No.	Item No.	Designation	Net
1	TIG-096-037	Electrical Copper Contacts, Housings	7,61 €
2	TIG-097-038	Housing, cable set.	9,29 €
3	TIG-098-039	Cover, cable set, housing.	3,92 €
4	TIG-099-040	Anti-kink PG8	3,60 €
5	TIG-100-041	Cable 1.5 meters	8,13 €
6	TIG-101-042	Connector 3 pin (male)	7,06 €

No.	Item No.	Designation	Net
1	TIG-041-043	Cable with connector length: 1 meter	12,71 €
2	TIG-042-044	Transformer, 18 VDC 6.3 A 230V 50 Hz.	91,25 €
3	TIG-043-045	Cable plug female 30 cm	10,25 €
4	TIG-016-046	Glass tube fuse 5*20 mm (6.3A)	0,17 €
5	TIG-045-047	Fuse holder of the desktop power supply	4,63 €

No.	Item No.	Designation	Net
1	TIG-102-048	Knife cap 100	19,59 €
2	TIG-104-049	Fuse	0,17 €
3	TIG-105-050	Joint pin.	3,20 €
4	TIG-106-051	Fork joint	6,82 €

Images may differ from the actual product. Technical specifications are subject to change.
We accept no liability for printing errors. Our general terms and conditions apply.

Catalog Doner Knives

**Electric Kebab Knife, Elektro Dönermesser, Elektrikli Kebap Bıçağı.
Doner Kebab Cutting Machine, Döner Schneidemaschine, Döner Kesse Makinası.**

Ø 80 mm - Ø 90 mm - Ø 100 mm - Ø 120 mm

70 Watt



90 Watt



The JET kebab knife is a very popular model that meets the needs and wishes of users. The product is defined by the keywords "light, quiet and fast". The simple operation, convenient cleaning and stepless adjustment of the circular knife make JET unmistakable and at the same time successful. Stepless adjustment option 0-10 mm for meat thickness. Suitable for all types of meat.

Dönermesser JET ist ein sehr weitverbreitetes Modell, welches den Anforderungen und Wünschen der Benutzer entspricht. Das Produkt wird mit den Schlagwörtern „leicht, leise und schnell“ definiert. Die einfache Bedienung, komfortable Reinigung und stufenlose Verstellung des Kreismessers machen JET unverwechselbar und zugleich erfolgreich. Stufenlose Verstellmöglichkeit 0-10 mm für Fleischstärke. Geeignet für alle Fleischsorten.

Döner bıçağı JET, kullanıcıların ihtiyaç ve isteklerini karşılayan oldukça popüler bir modeldir. Ürün "hafif, sessiz ve hızlı" anahtar kelimeleri ile tanımlanıyor. Dairesel bıçağın basit kullanımı, rahat temizliği ve kademesiz ayarı, JET'i farklı kılar ve aynı zamanda et kalınlığı için 0-10 mm kademesiz ayar seçeneğini başarılı kılar. Her türlü ete uygundur.