

JET 90 King
Electric Kebab Knife
Elektro Dönermesser
Elektrikli Kebab Bıçağı
90 Watt



Doner Kebab Cutting Machine
Döner Schneidemaschine
Döner Kesme Makinası

Table of contents:

Page 1: Cover Plate

Page 2: Table of Contents - Article

Page 3: List of articles - Kebab knives

Page 4: Exploded Drawing - Spare Parts

Page 5: Catalogue – Kebab Knives

Electric Kebab Knife JET 90 King

The JET 90 King Kebab knife is characterized by outstanding quality, versatility, and durability.

The powerful 90-watt motor is designed to effortlessly process up to 150 kg of meat per day, making it perfect for continuous use – even in 24/7 operation.

A special feature of this Kebab knife is the red-illuminated rocker switch.

This innovative switch solution ensures optimized and safe operation, as it remains highly visible even under intensive working conditions.

During the cutting process, the user always retains full control, benefits from maximum operating comfort and a significantly increased level of safety.

The ergonomically shaped, round handle fits comfortably in the hand and enables precise work, even over extended periods. The device is ideal for kebab shops, restaurants, commercial kitchens, and other professional food service establishments.



Precise cutting quality

The cutting thickness can be infinitely adjusted from 0 - 10 mm.

Thanks to this flexibility, you save time during preparation and can help your guests always serve evenly sliced meat.

The cutting width varies between 10 - 25 mm and depends on the selected cutting thickness.

Technical

- Powerful 90-Watt Motor – robust, durable, and quiet in operation.
- Rocker switch red illuminated - on/off switch, water repellent.
- Detachable cable set and separable transformer – makes cleaning and handling easier.
- 90 mm round blade made of high-quality steel – ensures precise, clean cutting quality.
- The device is splash-proof (electronics are excluded)

Warranty & Service

The JET 90 King Kebab knife with 12 months warranty.

The service team is available to answer any technical questions you may have and provides quick support.

Repairs, maintenance, and spare parts are handled directly by the customer service.

The high capacity and robust construction ensure reliable use in daily operation.



Images may differ from the actual product. Technical specifications are subject to change.
We accept no liability for printing errors. Our general terms and conditions apply.

www.doenermesser.com

JET 90 King Kebab Knife

JET 90 King 90 Watt (I)

Scope of delivery:

- 1 x JET 90 King Electro Kebab Knife 90 Watt.
- 1 x Transformer power supply 18 VDC 6.3 A 230V 50 Hz.
- 2 x Round knives (smooth) 90 Ø mm.**
- 1 x Grinding File. 1 x Slotted Screwdriver.
- 2 x Fuses 6.3 A. 1 x Knife screw. 1 x Pin.
- 1 x Instructions for use.

Delivery package weight: 5.0 kg LxWxH 400x250x160 mm



Control switch illuminated
Kontrollschalter beleuchtet
Kontrol anahtarı aydınlatılmış

Model: JET 90 King 90 Watt (I)							
Item No.	Hand-held cutting device	Knife	Power W	Daily output	Cut mm	Voltage	Net
DBS-KIN-001	940 gr.	90 Ø mm	90 Watt	150 kg	0-10 mm	230V 50 Hz	758,70 €

JET 90 King 90 Watt (II)

Scope of delivery:

- 1 x JET 90 King Electro Kebab Knife 90 Watt.
- 1 x Transformer power supply 18 VDC 6.3 A 230V 50 Hz.
- 1 x Round knife (smooth) 90 Ø mm**
- 1 x Round knife (serrated) 90 Ø mm**
- 1 x Grinding File. 1 x Slotted Screwdriver.
- 2 x Fuses 6.3 A. 1 x Knife screw. 1 x Pin.
- 1 x Instructions for use.

Delivery package weight: 5.0 kg LxWxH 400x250x160 mm



Control switch illuminated
Kontrollschalter beleuchtet
Kontrol anahtarı aydınlatılmış

Model: JET 90 King 90 Watt (II)							
Item No.	Hand-held cutting device	Knife	Power W	Daily output	Cut mm	Voltage	Net
DBS-KIN-002	940 gr.	90 Ø mm	90 Watt	150 kg	0-10 mm	230V 50 Hz	786,24 €

JET 90 King 90 Watt (III)

Scope of delivery:

- 1 x JET 90 King Electro Kebab Knife 90 Watt.
- 1 x Transformer power supply 18 VDC 6.3 A 230V 50 Hz.
- 2 x Round knives (serrated) 90 Ø mm**
- 1 x Grinding File. 1 x Slotted Screwdriver.
- 2 x Fuses 6.3 A. 1 x Knife screw. 1 x Pin.
- 1 x Instructions for use.

Delivery package weight: 5.0 kg LxWxH 400x250x160 mm

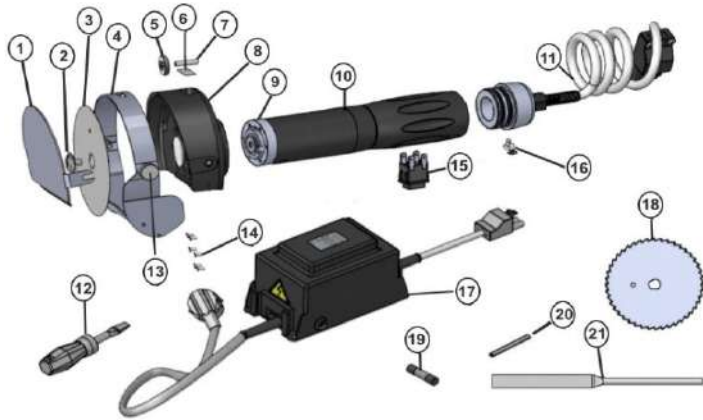


Control switch illuminated
Kontrollschalter beleuchtet
Kontrol anahtarı aydınlatılmış

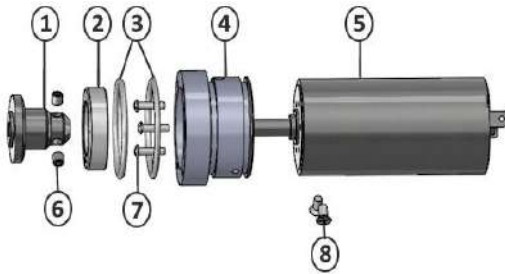
Model: JET 90 King 90 Watt (III)							
Item No.	Hand-held cutting device	Knife	Power W	Daily output	Cut mm	Voltage	Net
DBS-KIN-003	940 gr.	90 Ø mm	90 Watt	150 kg	0-10 mm	230V 50 Hz	788,24 €

Exploded Drawing - JET 90 King 90 Watt

Spare Parts



No.	Article No.	Designation	Net
1	KIN-046-001	Lid for knife housing 90 mm	27,21 €
2	KIN-002-002	Flat head screws with slot, head \varnothing 15 mm M5	6,25 €
3	KIN-047-003	Round blade, smooth outer diameter: 90 \varnothing mm	25,54 €
4	KIN-048-004	Adjustable iron	29,12 €
5	KIN-049-005	Knurled nut M4	4,35 €
6	KIN-050-006	knurled sheet metal	0,73 €
7	KIN-051-007	M4 screw	1,74 €
8	KIN-052-008	Blade housing 90 mm	55,88 €
9	KIN-074-009	Motor with gearbox 18 Volt 90 Watt	321,98 €
10	KIN-010-010	Straight handle	39,62 €
11	KIN-011-011	Connection cable set	40,12 €
12	KIN-015-012	Slotted Screwdriver	3,60 €
13	KIN-053-013	Knurled screw M5	2,96 €
14	KIN-054-014	M4 screw	0,17 €
15	KIN-012-015	Rocker switch, on/off, red, illuminated	6,96 €
16	KIN-013-016	M4 screw	0,14 €
17	KIN-017-017	Transformer power supply 18 VDC 6.3 A 230V 50 Hz.	119,01 €
18	KIN-055-018	Toothed circular blade, outer diameter: 90 \varnothing mm	27,54 €
19	KIN-016-019	Glass tube fuse 5*20mm (6.3A)	0,17 €
20	KIN-018-020	Knife Holder Pen	1,62 €
21	KIN-020-021	Grinding file	10,11 €



No.	Article No.	Designation	Net
1	KIN-075-022	Cutter shaft innere Diameter 13.2 mm	27,26 €
2	KIN-076-023	Shaft seal	8,93 €
3	KIN-077-024	Orring	1,84 €
4	KIN-078-025	Motor housing	19,12 €
5	KIN-026-026	18 Volt 90-Watt motor	261,16 €
6	KIN-027-027	Marten screw M3	0,23 €
7	KIN-028-028	Countersunk screw M2.5	0,20 €
8	KIN-029-029	M4 screw	0,17 €



No.	Article No.	Designation	Net
1	KIN-030-030	Orring	1,84 €
2	KIN-031-031	Cable set housing	17,41 €
3	KIN-032-032	Bend protection PG8	3,60 €
4	KIN-033-033	M4 screw	0,12 €
5	KIN-034-034	Cable 1.5 meters	8,13 €
6	KIN-035-035	3-pin male connector	7,06 €



No.	Article No.	Designation	Net
1	KIN-036-036	Toggle switch on/Off	3,28 €
2	KIN-037-037	Protective cap (L x W x H) 25 x 19 x 8 mm	1,99 €
3	KIN-012-038	Push button, black, unlit on/Off	12,40 €
4	KIN-038-039	Push button switch, black, On-Off-On	3,40 €
5	KIN-039-040	Rocker switch, on/off, red, illuminated	6,96 €
6	KIN-040-041	Rocker switch, on/off, black, unlit	4,96 €



No.	Article No.	Designation	Net
1	KIN-041-042	Cable with plug, length: 1 meter	12,71 €
2	KIN-042-043	Transformer, 18 VDC 6.3 A 230V 50 Hz.	91,25 €
3	KIN-043-044	Cable, female plug, 30 cm	10,25 €
4	KIN-044-045	Glass tube fuse 5*20 mm (6.3A)	0,17 €
5	KIN-045-046	Fuse holder from the table power supply	4,63 €

Images may differ from the actual product. Technical specifications are subject to change.
We accept no liability for printing errors. Our general terms and conditions apply.

Catalog Doner Knives

Electric Kebab Knife, Elektro Dönermesser, Elektrikli Kebap Bıçağı.

Doner Kebab Cutting Machine, Döner Schneidemaschine, Döner Kesse Makinası.

Ø 80 mm - Ø 90 mm - Ø 100 mm - Ø 120 mm

70 Watt



90 Watt



The JET kebab knife is a very popular model that meets the needs and wishes of users.

The product is defined by the keywords "light, quiet and fast".

The simple operation, convenient cleaning and stepless adjustment of the circular knife make

JET unmistakable and at the same time successful. Stepless adjustment option 0-10 mm for meat thickness.

Suitable for all types of meat.

Dönermesser JET ist ein sehr weitverbreitetes Modell, welches den Anforderungen und Wünschen der Benutzer entspricht. Das Produkt wird mit den Schlagwörtern „leicht, leise und schnell“ definiert.

Die einfache Bedienung, komfortable Reinigung und stufenlose Verstellung des Kreismessers machen

JET unverwechselbar und zugleich erfolgreich. Stufenlose Verstell Möglichkeit 0-10 mm für Fleischstärke.

Geeignet für alle Fleischsorten.

Döner bıçağı JET, kullanıcıların ihtiyaç ve isteklerini karşılayan oldukça popüler bir modeldir.

Ürün "hafif, sessiz ve hızlı" anahtar kelimeleri ile tanımlanıyor.

Dairesel bıçağın basit kullanımı, rahat temizliği ve kademesiz ayarı,

JET'i farklı kılar ve aynı zamanda et kalınlığı için 0-10 mm kademesiz ayar seçeneğini başarılı kılar.

Her türlü ete uygundur.